

## BAR CHAIRS

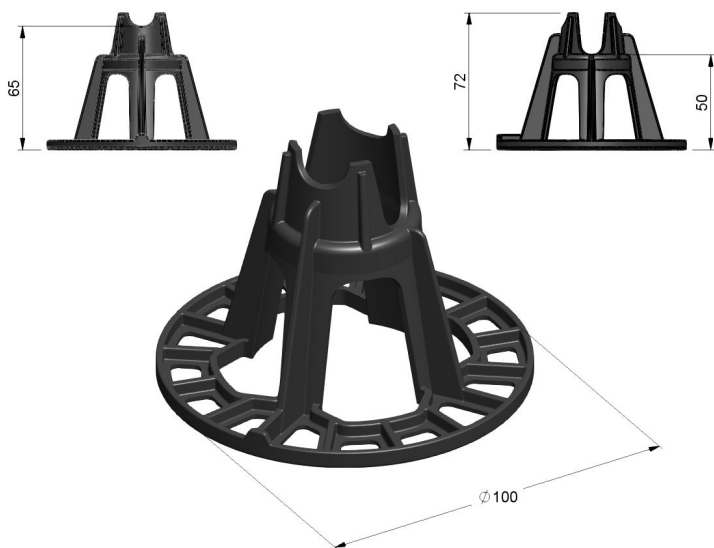
### Benefits and Features

- Australian owned and manufactured
- Superior quality polymer used resulting in:
  - Consistently high quality product
  - Strong product
  - Stable Product
- Spacers cover dual heights
- Flat based to minimise penetration
- Stacked in bags to minimise transport and storage space
- Available in bags of 100



Single Bar Chair

Dimensions (mm)



Bar Chair Stack

**P** +61 7 5477 0059

**F** +61 7 5445 2895

Lot 2, 498 Maroochydore Road,  
Kunda Park, Queensland, Australia 4556

[sales@totalplasticssolutions.com.au](mailto:sales@totalplasticssolutions.com.au)  
[enquiries@totalplasticssolutions.com.au](mailto:enquiries@totalplasticssolutions.com.au)  
[www.totalplasticssolutions.com.au](http://www.totalplasticssolutions.com.au)